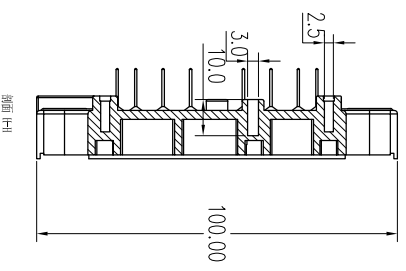
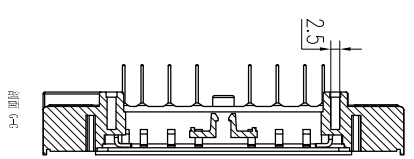
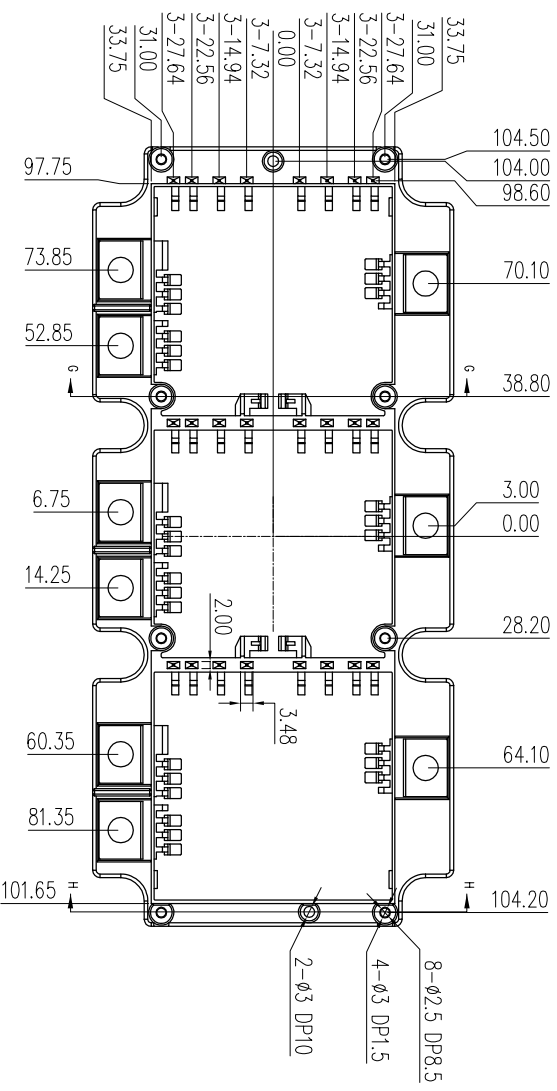
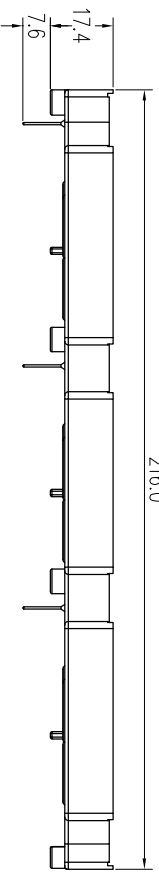
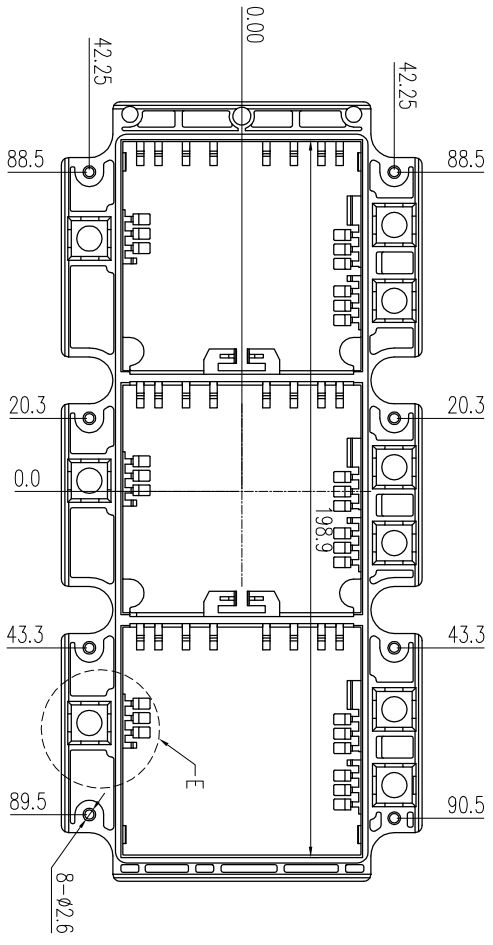
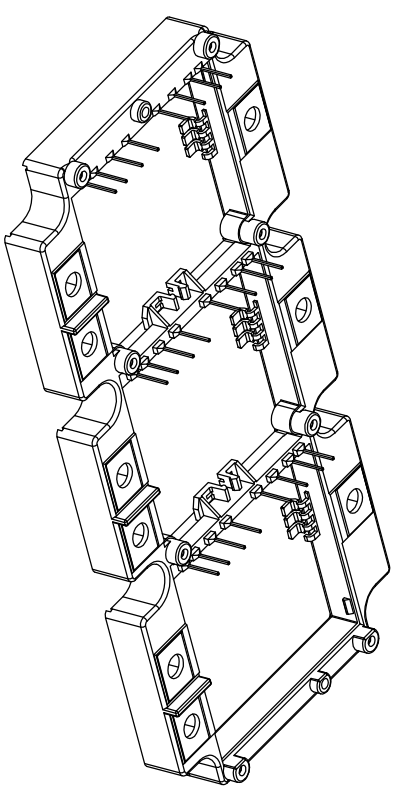


TOLERANCE	
S16	±0.1mm
16-60	±0.15mm
61-240	±0.20mm
-	-
-	-
X'	±10°
-	-



技术要求:

1. 塑料材质为PBT+30%玻纤;
2. 金属材料为无氧铜C10200;
3. 金属选择性镀打底后局部镀锡;

A	Original Edition	Avin Wang	2018-07-21
REV	DESCRIPTION	REV BY	DATE
PRODUCT NO: WA1034		ZH Weilain Electronic (Hangzhou) Co.,Ltd	
CHKD:	-	SHEET	SIZE
DR:	Avin Wang	1/1	mm
		DWG NO.:	D1034