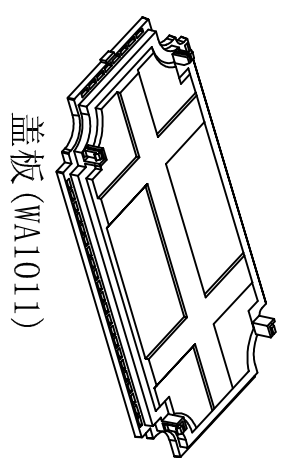
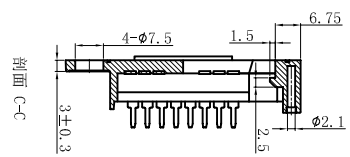
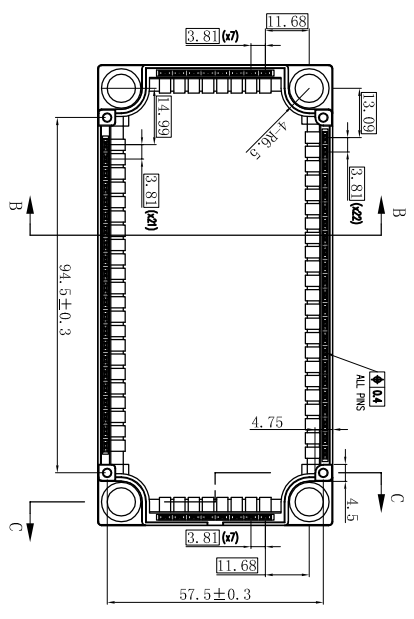
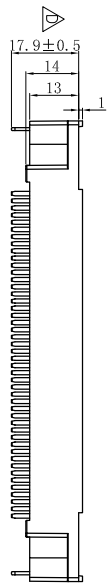
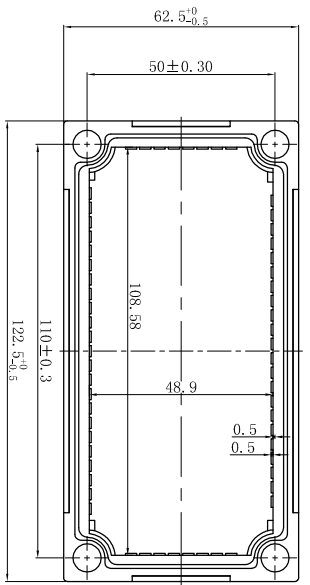
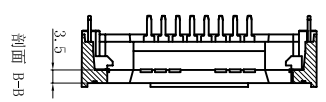
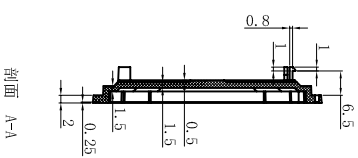
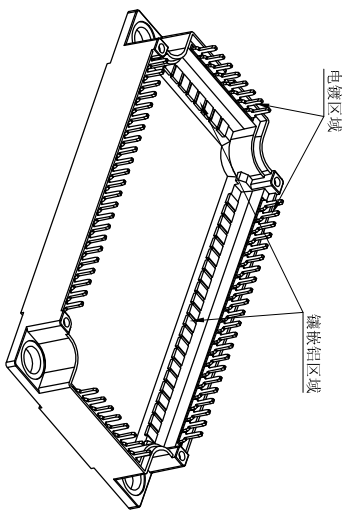
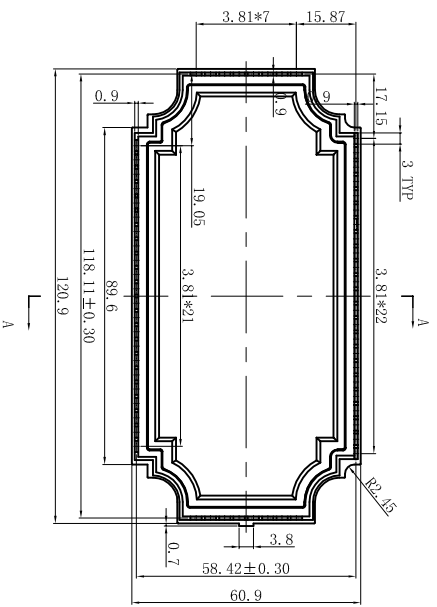
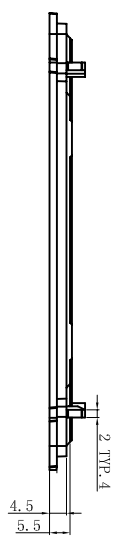
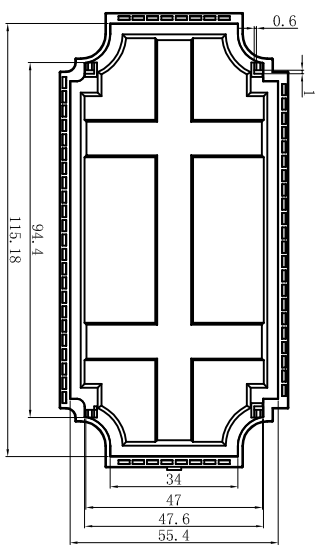
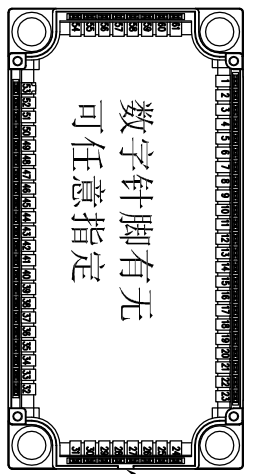


TOLERANCE	
0-10	±0.1mm
10-20	±0.15mm
30-50	±0.20mm
50-100	±0.30mm
120-250	±0.35mm
250-500	±0.4
X	±0.5

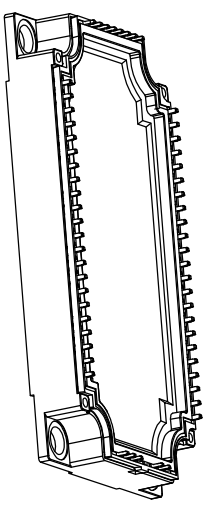


盖板 (WA1011)

数字针脚有无
可任意指定



加盖后产品 (出货为分开出货)



- 技术要求:
1. 塑料材质为PBT+30%玻纤;
 2. 金属材料为铜覆铝, 基材C10300 R240;
 3. 铜材选择镀性电镀2-5um银打底, 再镀2-5um亮锡;

更改内容	1.2	2019-3-8	DR: Ailin Wang
更改内容	1.2	2018-12-21	
更改内容	1.2	2018-07-19	

REV	DESCRIPTION	REV BY	DATE
1	Original Edition	Ailin	2018-12-21
2	更新图纸, 增加盖板 (WA1011)		2019-2-27

PRODUCT NO.: Icono PM3 系列
CHKD: -

ZH Wielain Electronic
(Hangzhou) Co., Ltd

SHEET SIZE: 1/2 mm
DWG NO.: D100745

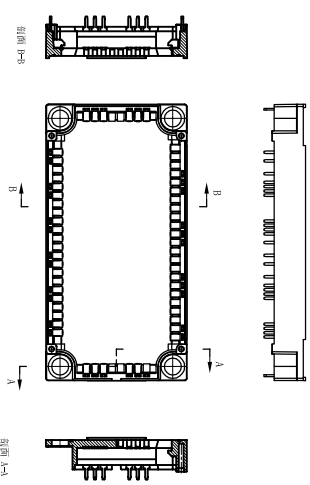
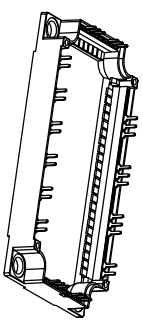
TOLERANCE	
0-10	±0.1mm
10-20	±0.15mm
30-50	±0.20mm
50-100	±0.30mm
120-250	±0.35mm
250-400	±0.4
X ²	±0.5



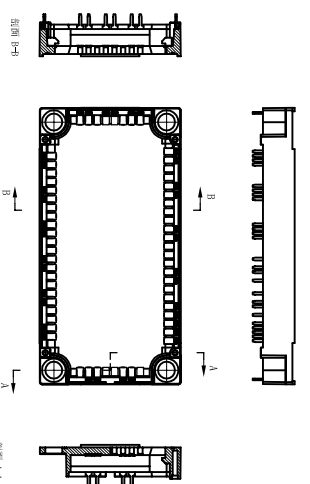
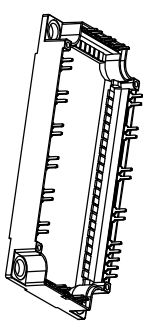
数字针脚有无可任意指定

产品	金属针位置
WA1007AM1	4, 5, 6, 10, 11, 12, 16, 17, 18, 22, 23, 24, 25, 26, 29, 30, 31, 32, 33, 34, 37, 40, 41, 44, 45, 48, 49, 52, 53, 54, 55, 56, 59, 60, 61
WA1007CM1	1, 2, 5, 6, 10, 11, 15, 16, 19, 20, 21, 22, 23, 25, 26, 29, 30, 32, 33, 36, 37, 40, 41, 44, 45, 48, 49, 52, 53, 54, 55, 57, 58, 60, 61
WA1007DM1	1, 2, 5, 6, 9, 10, 13, 14, 15, 21, 22, 23, 25, 26, 29, 30, 31, 34, 35, 36, 39, 40, 41, 44, 45, 48, 49, 52, 53, 54, 55, 56, 59, 60, 61

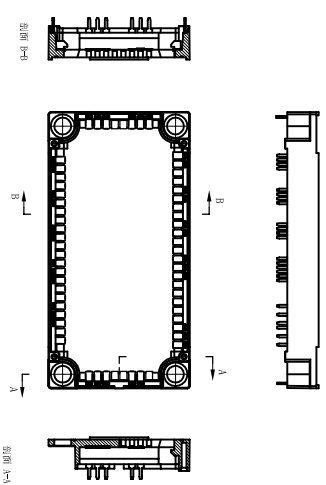
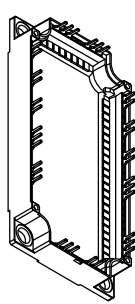
WA1007AM1



WA1007CM1



WA1007DM1



更新长度 1.2 2019/3/8		1.2 2019-2-27	
更新图纸, 增加盖板 (AW1011) 更新图纸 1.2 2018-12-21		1.2 2018-12-21	
REV	DESCRIPTION	REV BY	DATE
A	Original Edition	Mtin	2018-07-19
PRODUCT NO: Icono PM3 系列		ZH Wielain Electronic (Hangzhou) Co., Ltd	
CHKD: -		SHEET 2/2 SIZE mm DWG NO.: D100748	
DR: Aivin Wang			